

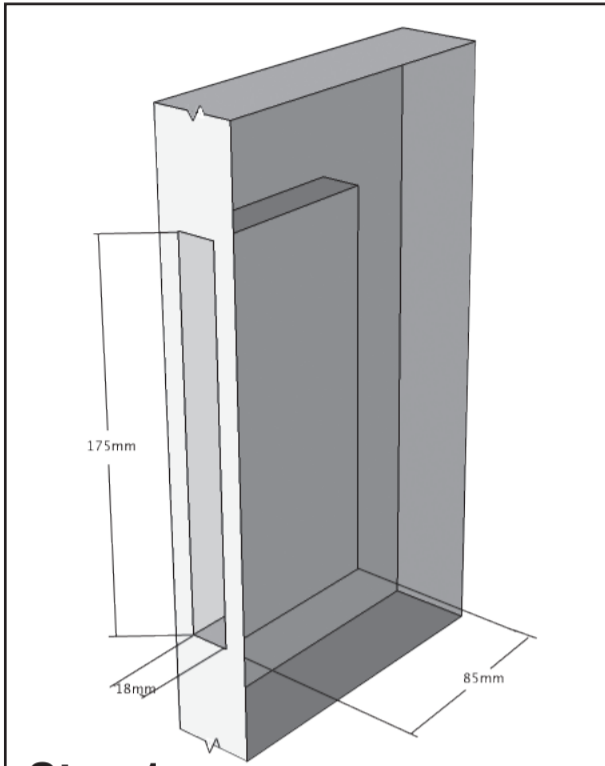


ME60 Series - Mortice Lock Installation Guide

For Models ME60RL - Roller Lock, ME60USTT - Thumb Turn Lock, ME60US - Entrance Lock.

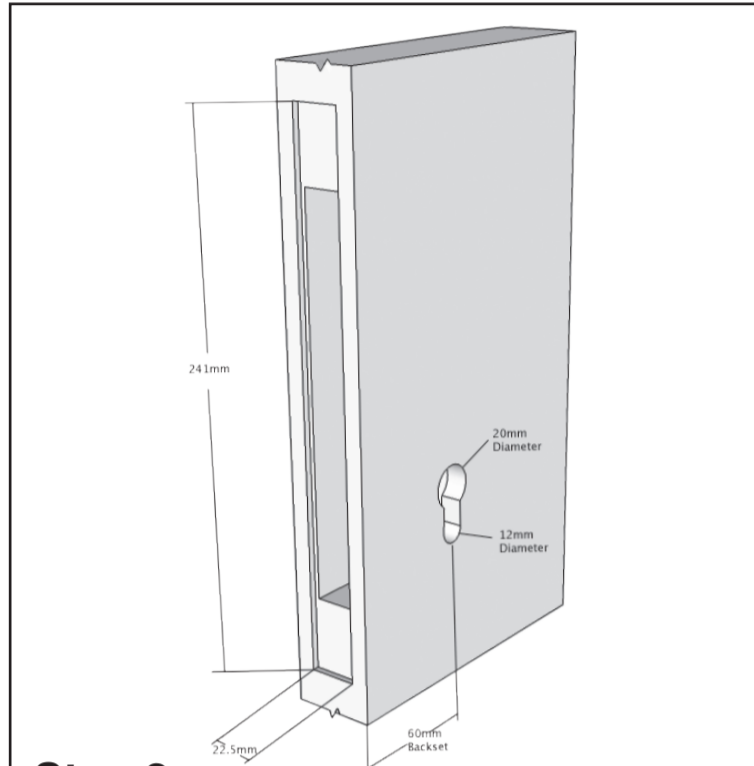
Tools Required:

- Drill
- Flat blade screwdriver
- 18mm Drill bit
- Chisel
- Hammer
- Pozidrive screw bit
- 20mm Drill bit
- 12mm Drill bit
- Tape measure
- Pencil



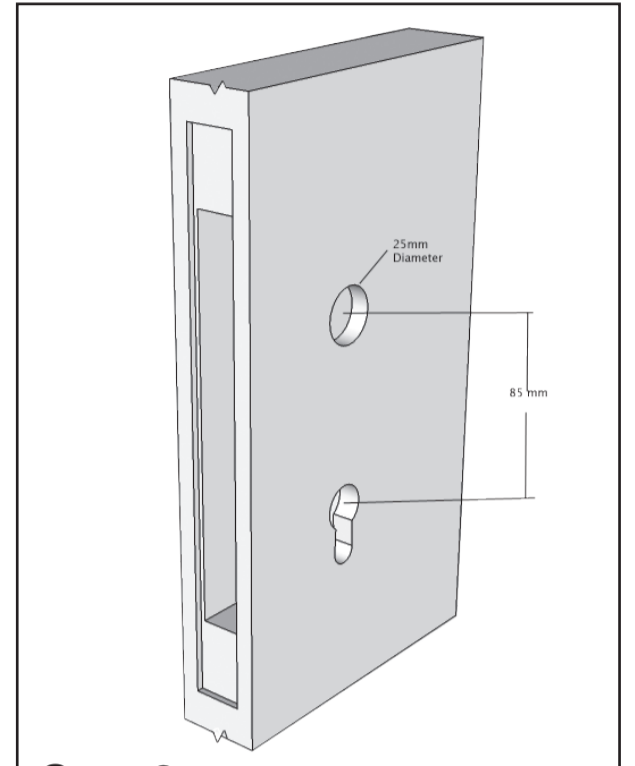
Step 1:

1. Place mortice slot template on door at required height (suggested height for centreline is 970mm from the base of door).
2. Drill out the mortice slot with the 18mm drill bit to a depth of 85mm.
3. Chisel out remainder of the hole as shown above, to accept the lock body.



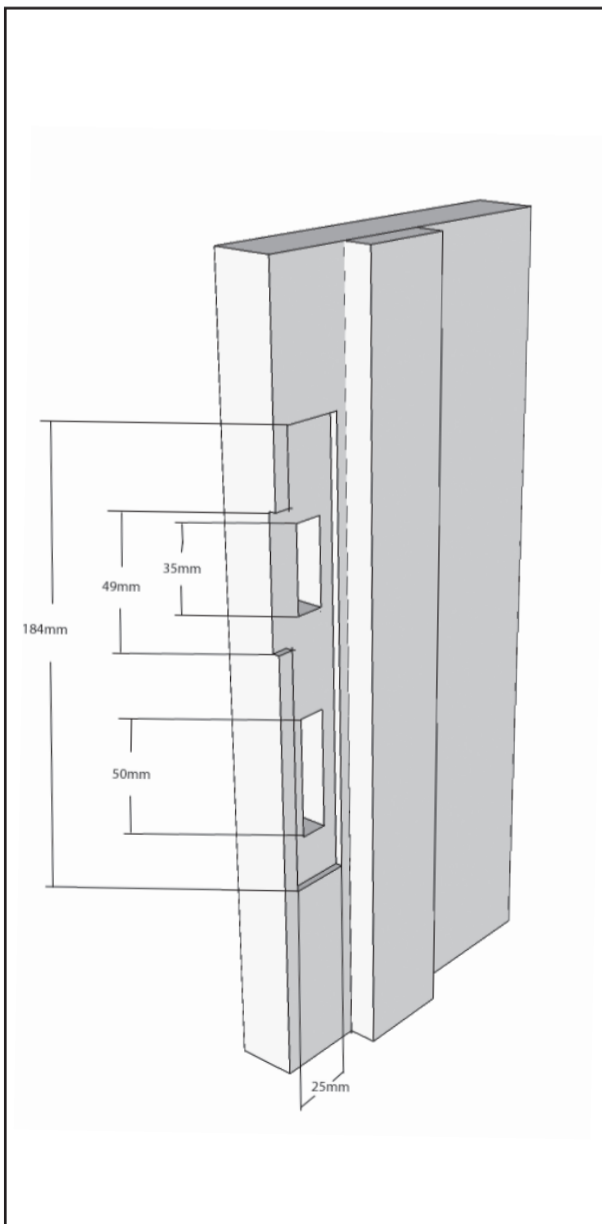
Step 2:

1. Fit lock into mortice hole and scribe around forend with pencil.
2. Chisel out wood within the scribed area to a depth of 2mm to accept the lock forend.
3. Fold the template guide along the edge of the door ensuring the centre line is at the correct height. Mark the two hole centres for the euro cylinder (20mm and 12mm). Drill out the 20mm and 12mm holes for the euro cylinder at a 60mm backset.
4. Chisel between the two holes to accept the euro cylinder.
5. Repeat process on the opposite side of the door.
6. Check euro cylinder will go through both sides of the door.



Step 3:

- Only continue if you are installing ME60USTT and ME60US**
1. Use the template guide for the hole centre to drill a 25mm hole 85mm from the centre of the top euro cylinder hole as shown above, to accept the thumb turns or levers.



Installation of Components:

1. Insert the lock into the morticed hole with the roller or latch at the top.
 2. Screw fix the forend of the lock to the door.
 3. Fit the euro cylinder through the hole in the face of the door and secure in place by putting the cylinder retaining screw into the hole underneath the bolt in the forend of the lock.
 4. Remove cover plate from escutcheons and place over euro cylinder and screw fix to the door. Place cover plates back on escutcheons.
- Only continue if you are installing ME60USTT and ME60US:**
5. Secure thumb turns or door levers (supplied separately) to the face of the door with the screws provided. Ensure the spindles locate into the lock through the 25mm hole in the face of the door.

Strike Plate Installation:

1. With the lock installed, extend the deadbolt and gently close against the door frame .
2. Mark on the frame the top and bottom of the deadbolt .
3. Mark a centre line down the jamb for the strike plate. (This will determine where the bolt of the lock is centred) Ensure this centreline allows the door enough space to close against the stop.
4. Place the strike plate on the jamb aligning the marks from the deadbolt to the hole for the deadbolt. Also ensure the strike is centred on the centreline marked.
5. Scribe around the outer edge of the strike with a pencil and chisel within the scribed area to a depth of 2mm.
6. Fit strike into the recessed hole and mark the holes for the deadbolt and latch/roller.
7. Mortice these two holes out to a depth of 20mm to allow the bolt to extend and move freely.
8. Ensure dust box fits and secure strike plate over top with the screws provided.

Roller adjustment

For ME60RL only:

1. The roller protrusion is adjustable by the screw in the forend underneath the roller.
2. The adjustment accommodates the gap between the door edge and jamb (the door gap should be approximately 3mm).
3. Use a flat blade screw driver to adjust roller in (anti clockwise) and out (clockwise) to ensure positive engagement in the strike pocket and correct tension.



ME60 Series - Mortice Lock Installation Guide

For Models ME60RL - Roller Lock, ME60USTT - Thumb Turn Lock, ME60US - Entrance Lock.

Template Guide

